

Technical data sheet

Product features



Electric range with static oven

Model

SAP Code

00008821



- Device type: Electric unit
- Power consumption of the zone 1 [kW]: 2,6
- Power consumption of the zone 2 [kW]: 2,6
- Power consumption of the zone 3 [kW]: 2,6
- Power consumption of the zone 4 [kW]: 2,6
- Type of internal part of the appliance 1 (eg oven): Electric
- Type of internal part of the appliance 2 (eg oven): Static
- Protection of controls: IP24
- Material: AISI 304 top plate and cladding

SAP Code	00008821	Number of zones	4
Net Width [mm]	800	Power consumption of the zone 1 [kW]	2,6
Net Depth [mm]	730	Power consumption of the zone 2 [kW]	2,6
Net Height [mm]	900	Power consumption of the zone 3 [kW]	2,6
Net Weight [kg]	92.00	Power consumption of the zone 4 [kW]	2,6
Power electric [kW]	16.700	Type of internal part of the appliance 1 (eg oven)	Electric
Loading	400 V / 3N - 50 Hz	Type of internal part of the appliance 2 (eg oven)	Static

Technical data sheet

Technical drawing

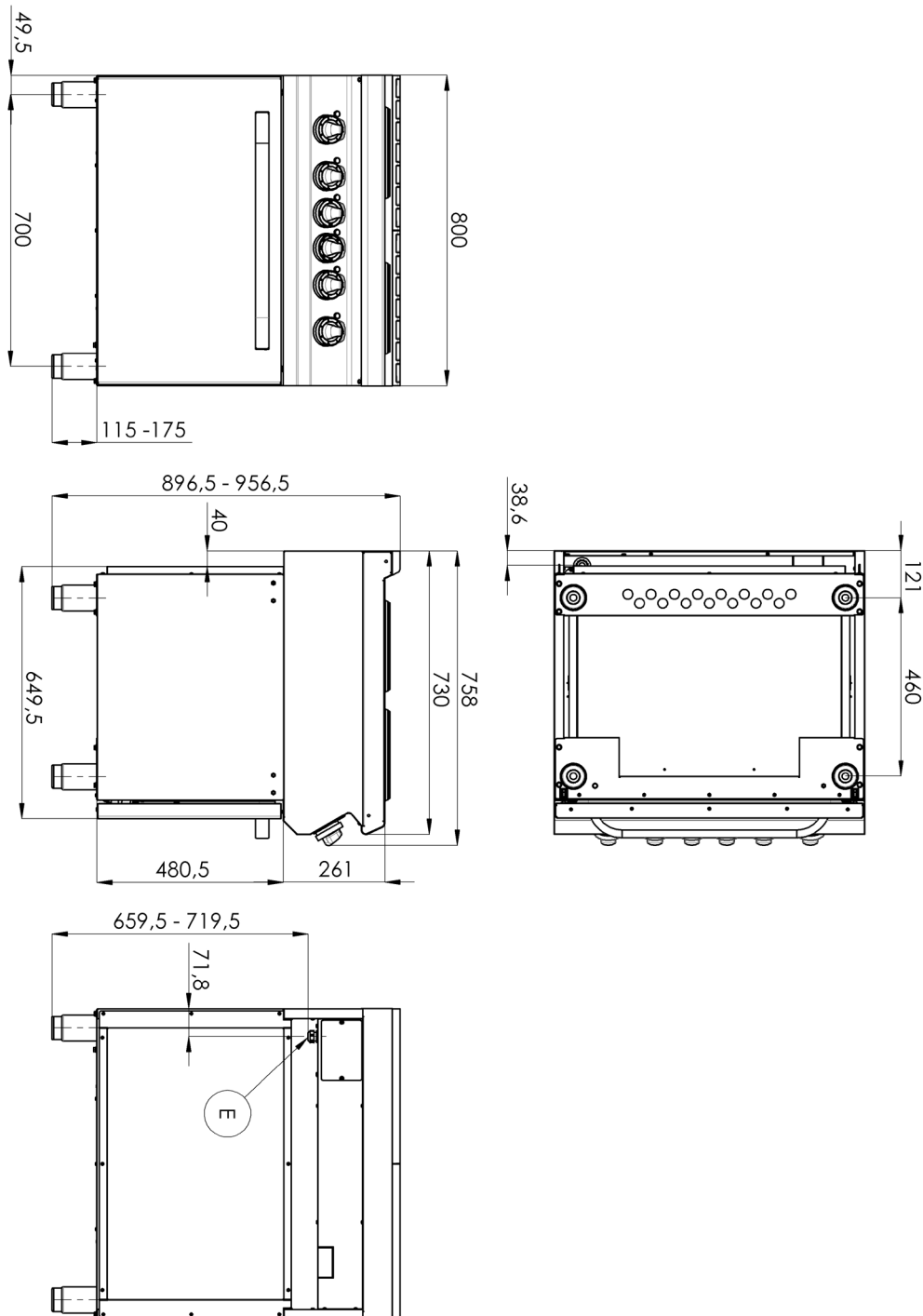


Electric range with static oven

Model

SAP Code

00008821



Technical data sheet

Technical parameters



Electric range with static oven

Model	SAP Code	00008821
--------------	-----------------	----------

1. SAP Code:

00008821

2. Net Width [mm]:

800

3. Net Depth [mm]:

730

4. Net Height [mm]:

900

5. Net Weight [kg]:

92.00

6. Gross Width [mm]:

840

7. Gross depth [mm]:

800

8. Gross Height [mm]:

1080

9. Gross Weight [kg]:

105.00

10. Device type:

Electric unit

11. Construction type of device:

Stationary

12. Power electric [kW]:

16.700

13. Loading:

400 V / 3N - 50 Hz

14. Protection of controls:

IP24

15. Exterior color of the device:

Stainless steel

16. Material:

AISI 304 top plate and cladding

17. Indicators:

operation

18. Worktop type:

Molded - comfortable cleaning maintenance

19. Worktop material:

AISI 304

20. Worktop Thickness [mm]:

1.50

21. Number of zones:

4

22. Power consumption of the zone 1 [kW]:

2,6

23. Power consumption of the zone 2 [kW]:

2,6

24. Power consumption of the zone 3 [kW]:

2,6

25. Power consumption of the zone 4 [kW]:

2,6

26. Service accessibility:

Trough the frontal panel

27. Adjustable feet:

Yes

28. Number of burners/hot plates:

4

Technical data sheet

Technical parameters



Electric range with static oven

Model

SAP Code

00008821

29. Type of electric cooking zones:

Squared

30. Oven Type:

electrical static

31. Oven power electric [kW]:

6.30

32. Oven size:

GN 2/1

33. Type of internal part of the appliance 1 (eg oven):

Electric

34. Type of internal part of the appliance 2 (eg oven):

Static

35. Gasket:

Yes

36. Maximum temperature of the inner chamber [°C]:

380

37. Minimum temperature of the inner chamber [°C]:

50

38. Cross-section of conductors CU [mm²]:

5

– Výkon (kW): 37 a více (230 V); 64 a více (400 V)